



DESCRIPTIONS

The BMWC-L4CH-DC-BLE-KL has a 4-channel output, specifically designed for RGBW lights. Unlike other RGB controllers that produce a mixed white color, this controller offers full RGBW functionality with an independent white channel. It can operate independently or connect with other BlueMesh devices.

FEATURES

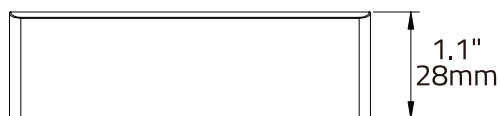
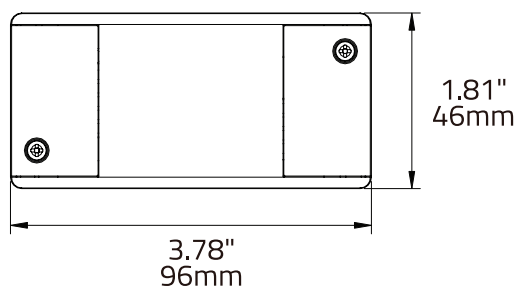
- 4 Channel output, light level dimming and RGBW color tuning
- Input polarity protection
- Output overload protection
- Fine Tuned RGBW color dimming

TECHNICAL DATA

Black: CV,DC 12-48V
 Input Current: 8A
 Output Voltage: DC 12-48V
 Output Current: CC, 2Ax4CH Max
 Bluetooth Transmit: 100ft Max
 Radio Frequency: 2.4GHz ± 75MHz
 Bluetooth Version: 4.2
 Housing Material: UL 94-V0
 Operating Temperature: 0°C to 55°C, 32°F to 131°F
 Storage Temperature: -30°C to 85°C, -22°F to 185°F
 IP Rating: IP20
 Color: Black
 Warranty: 5 year warranty
 Compliance: UL1376, RoHs

PHYSICAL DIMENSIONS

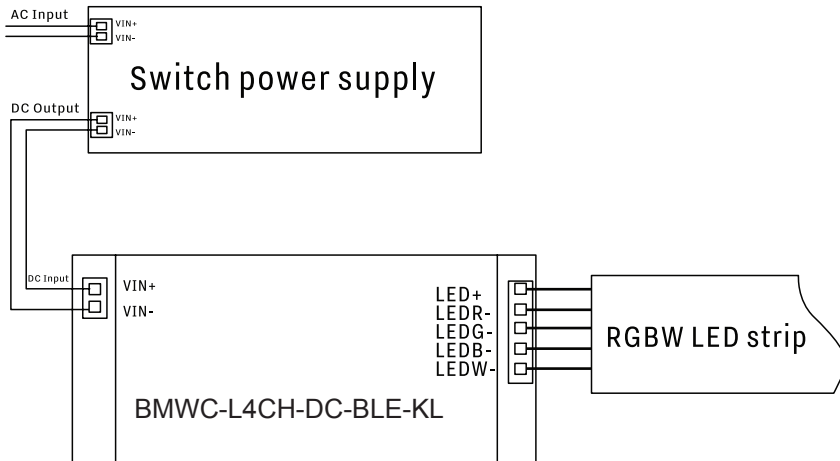
Unit:inch/mm



ORDERING INFORMATION

MODEL	DESCRIPTION
BMWC-L4CH-DC-BLE-KL	Bluetooth RGBW Controller

WIRING DIAGRAM



Ref#: 20250408

WARRANTY

Five year limited warranty.

Specifications subject to change without notice.